

AVANTE™

collection

ALUMINUM CONSTRUCTION



America's Favorite Garage Doors®



*Avante™ Collection, Finished Aluminum
with Frosted Tempered Glass*

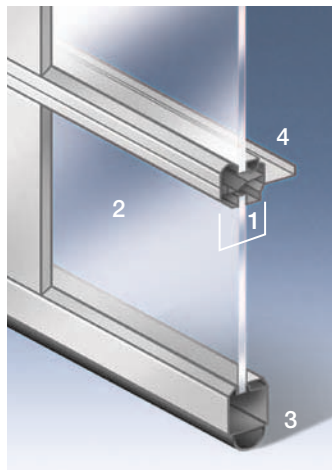




MODERN design meets Asian INSPIRATION

STYLE AND CONSTRUCTION

Aluminum and glass combine to create a sleek, contemporary look. Many window options are available to control the degree of light transmission and privacy.

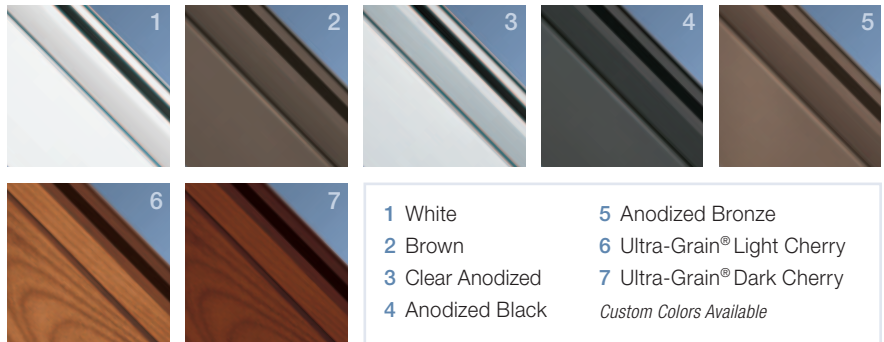


- 1 2-1/8" aluminum frame provides a virtually maintenance-free, long-lasting door.
- 2 Tempered glass, acrylic or solid aluminum panel options. Insulated glass is also available for increased energy efficiency.
- 3 Tongue-and-groove joint plus vinyl bottom weatherseal with retainer help protect against the elements.
- 4 Integral reinforcing fin provides increased strength and longevity.

Heavy-duty steel ball bearing rollers with nylon tires provide quiet operation.

See your Clopay dealer for WINDCODE® availability.

STANDARD FRAME COLORS



- | | |
|------------------|--------------------------------|
| 1 White | 5 Anodized Bronze |
| 2 Brown | 6 Ultra-Grain® Light Cherry |
| 3 Clear Anodized | 7 Ultra-Grain® Dark Cherry |
| 4 Anodized Black | <i>Custom Colors Available</i> |



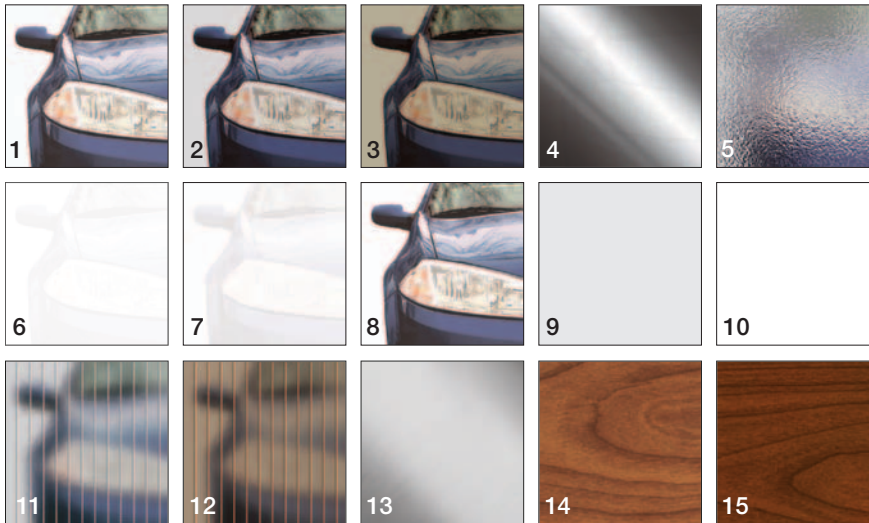
Avante™ Collection, Clear Anodized Aluminum with Frosted Tempered Glass

AVANTE™

collection

The Avante is the perfect choice to modernize any home; transforming not only garages, it can also be used as an indoor loft partition or a versatile patio door to seamlessly merge indoor and outdoor living spaces.

GLASS/PANEL OPTIONS



- 1 Clear Glass*
- 2 Gray Tinted Glass*
- 3 Bronze Tinted Glass*
- 4 Mirrored Glass*
- 5 Obscure Glass*
- 6 White Laminate Glass
- 7 Frosted Glass* or Acrylic
- 8 Clear Acrylic
- 9 Gray Acrylic
- 10 White Acrylic
- 11 Clear Polygal®
- 12 Bronze Polygal®
- 13 Clear Anodized (Aluminum Panel)
- 14 Ultra-Grain® Light Cherry (Aluminum Panel)
- 15 Ultra-Grain® Dark Cherry (Aluminum Panel)

Glass available in single pane or insulated. White laminated and mirrored glass not available insulated.

Panels can be aluminum to match the aluminum frame. Glass/acrylic panels may be combined with aluminum panels. Custom glass and colors available. See your Clopay dealer for details.

*Glass is tempered

WARRANTIES



HARDWARE



Attractive color-matched aluminum grip handles.

WINDCODE®

Doors available to meet many regional wind load requirements.

WindCode® doors over 16' wide may have reinforcement hardware that shows through the glass panels of the door.



Avante™ Collection, Clear Anodized Frame, Frosted Insulated Glass, Clear Anodized Panel

Architect: www.jamesphillipwright.com



A FOCUS ON

green

Clopay® is committed to designing, manufacturing and distributing garage doors that enhance the beauty, safety and value of your home while minimizing the impact on the environment.

The Avante™ Collection helps conserve natural resources by providing environmentally conscious consumers with a durable, reliable, low-maintenance door.

All Clopay doors are made in the U.S., minimizing shipping, damage and handling. For more details on Clopay's green practices visit clopaydoor.com/cgreen.aspx



For more detailed product specification information or availability of our Avante™ Collection Garage Doors, please contact your Clopay Pro-Series Dealer. To locate a dealer to help you select the right door for your home, just go to www.clopaydoor.com/dealer or call 1-800-2CLOPAY (225-6729).

Follow us on [facebook.com/ClopayGarageDoors](https://www.facebook.com/ClopayGarageDoors), twitter.com/clopay and [BLOG clopaydoor.com/blog](http://BLOG.clopaydoor.com/blog).

Distributed by: